

STANDEX GOBBRA PG



Construction system with round profiles





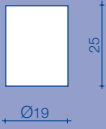
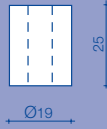
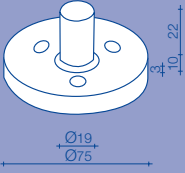
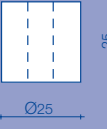
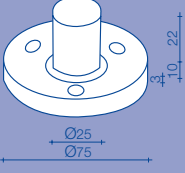

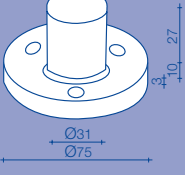


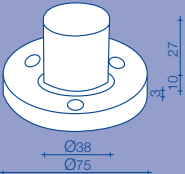
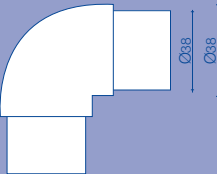
Complete system with few components and simple connections

Standex Cobra PC is a simple construction system with many possibilities. The round profiles, the curves and the elegant design offer boundless possibilities for elegant design, functionality and easy cleaning. The system is available in 4 dimensions, which makes it versatile. Standex Cobra PC can be fixed to floors and walls or built into other constructions.

	Profile	Connector	End cap	End cap with threaded hole	Connector plug
25 mm	  RC 25-1	  PC 25-2	  AC 25-1	  AC 25-1-G-M10	  AC 25/25 Ø6,2 AC 25/31 Ø6,2 AC 25/38 Ø6,2 AC 25/44 Ø6,2
31 mm	  RC 31-1	  PC 31-2	  AC 31-1	  AC 31-1-G-M10	 AC 31/31 Ø8,2 AC 31/38 Ø8,2 AC 31/44 Ø8,2
38 mm	  RC 38-1	  PC 38-2	  AC 38-1	  AC 38-1-G-M10	 AC 38/44 Ø10,2 AC 38/38 Ø10,2
44 mm	  RC 44-1	  PC 44-2	  AC 44-1	  AC 44-1-G-M10	 AC 44/44 Ø10,2

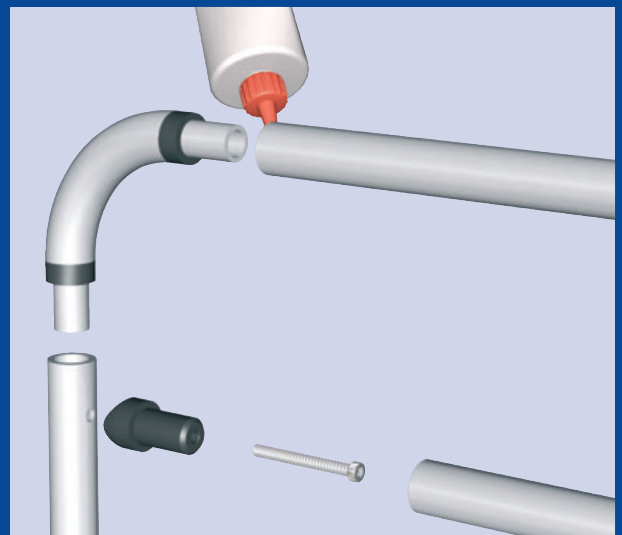
Connectors

Standex connectors offer you a wide range of options which can be combined.

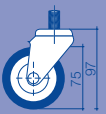
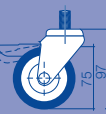



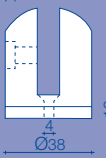
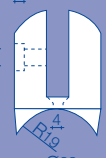
Internal connector plug	Internal connector plug with threaded hole	Fastening plate	Connector
			
 Ø19 25	 Ø19 25	 Ø19 Ø75 10 22	
AC 25-2	AC 25-2-G-M8	PC 25-8	
 Ø25 25	 Ø25 25	 Ø25 Ø75 10 22	
AC 31-2	AC 31-2-G-M8	PC 31-8	
 Ø31 30	 Ø31 30	 Ø31 Ø75 10 27	
AC 38-2	AC 38-2-G-M8	PC 38-8	
 Ø38 30	 Ø38 30	 Ø38 Ø75 10 27	 Ø38 Ø38 28 54
AC 44-2	AC 44-2-G-M8	PC 44-8	NPC 44-38-2



Standex Cobra PC is silver anodized as a standard. We can deliver the system in all RAL-colours from our own powder-coating department.



Standex Cobra PC has the same dimensions as 1", 1 1/4", 1 1/2" and 1 3/4" tubes. The dimensions can be connected using the AC plugs. Connections are fastened with 2-component glue, while plugs for vertical tubes are fastened with special bolts.

Wheel			
			
2470-75 mm	2475-75 mm	2470-100 mm	2475-100 mm
Panel fittings			
Adjustable foot	Panel fittings		
			
D9-M10	PH-WALL	PH-TUBE	



Innumerable possibilities for use

Standex Cobra Expo can be used in many different ways:

- Hospital equipment
- Shop fittings
- Signs
- Stands
- Displays
- Screening
- Shower compartments
- Room dividers
- Staircase handrails
- Trolleys
- Workspace design
- Handles
- Sheet holders
- Mounting fittings for shelves
- And much more...



Contact us for a discussion of the possibilities for using Standex Cobra PC in your company.



**SYSTEM
STANDEX®**

System Standex A/S
Herluf Trolles Vej 140
DK-5220 Odense SØ
Tel.: +45 66 15 66 15
Fax: +45 66 15 55 48
E-mail: info@system-standex.dk
www.system-standex.dk